

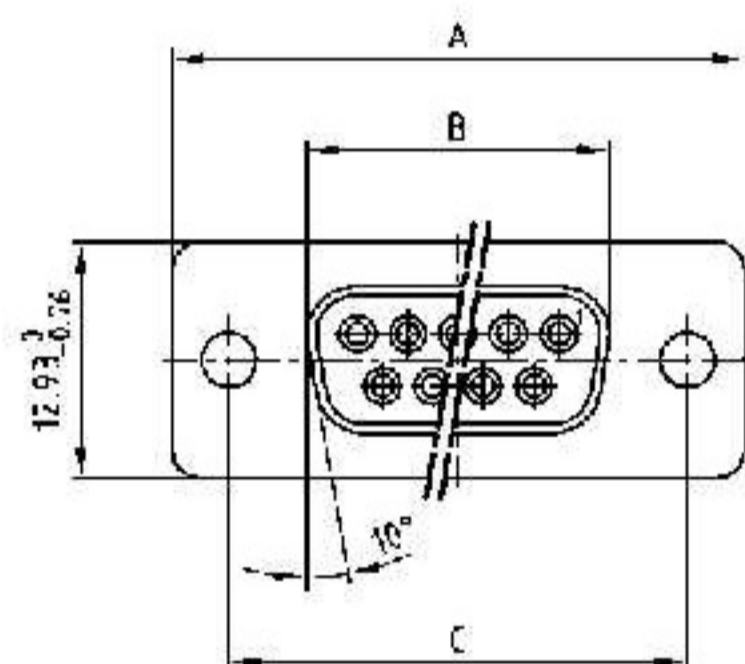
D-SUB STANDARD

Solder cup – Precision machined contacts – For wire size AWG 20



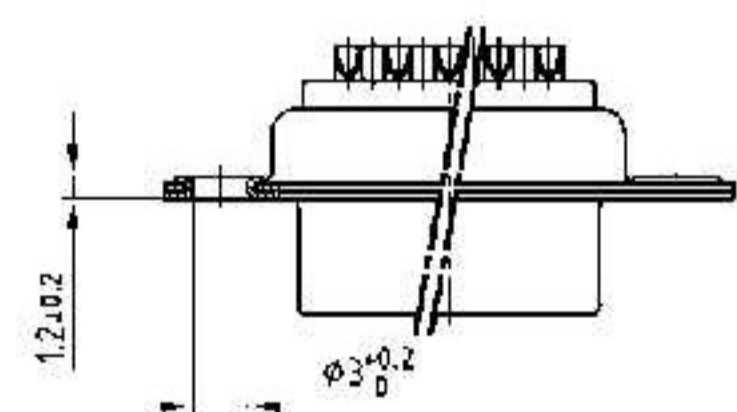
RoHS compliant – CSA listed, File No.: LR 115000-1 – UL listed, File No.: E202784

SOCKET CONNECTOR

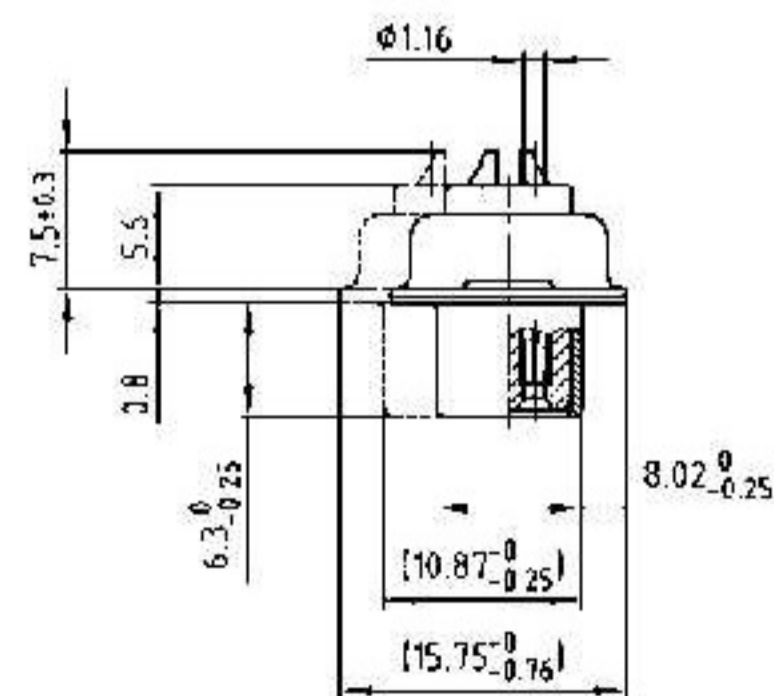
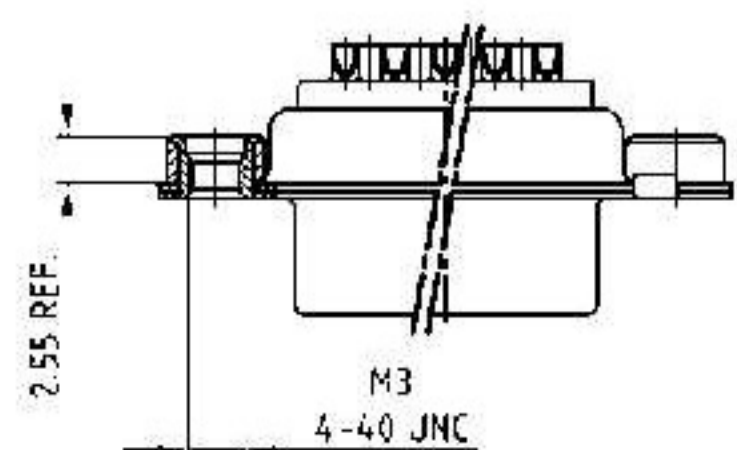


Mounting style: Through-hole

No. of pos.	A -0.76	B +0.25	C
09	31.19	16.46	25.00 +0.12
15	39.52	24.79	33.30 ^{+0.15} / _{0.10}
25	53.42	38.50	47.04 +0.13
37	69.70	54.96	63.50 +0.13
50	67.31	52.55	61.10 ^{+0.14} / _{0.11}



Mounting style: Threaded insert

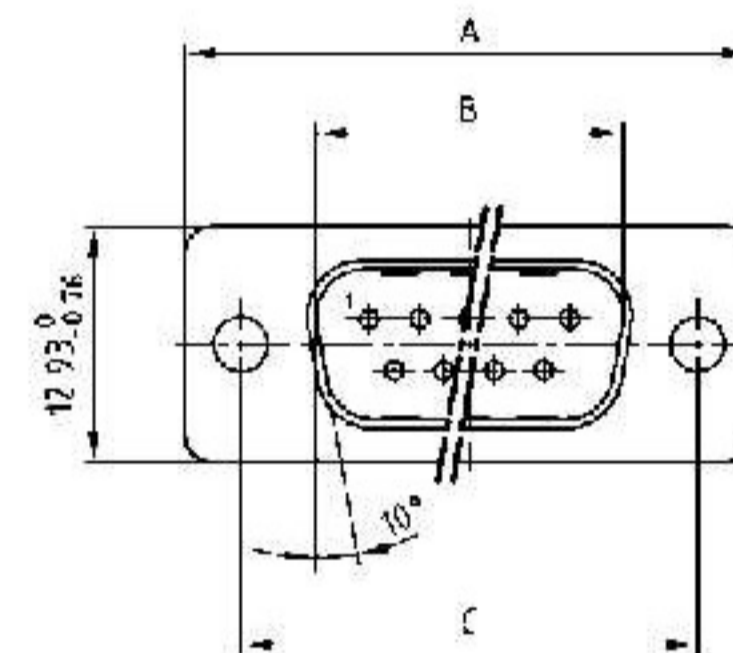


50 pos. = Dim. in (—)

DESCRIPTION

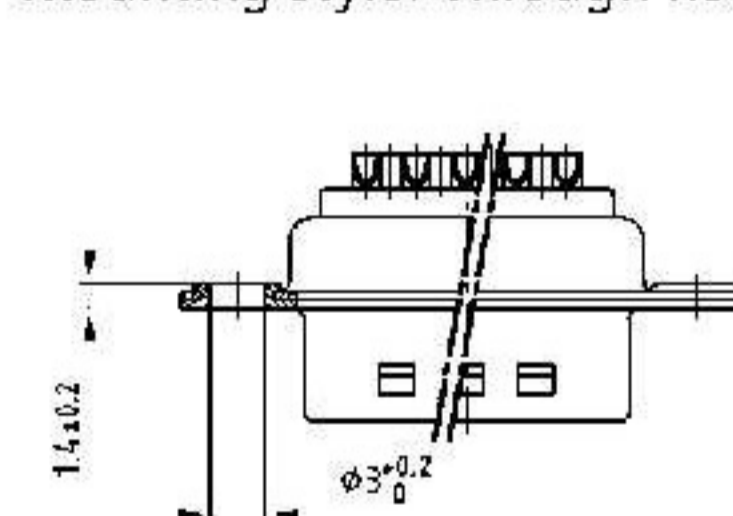
- Suitable for wire size **AWG 20**
- Mounting styles:
 - with through-hole, \varnothing .118"/3 mm
 - with M3 or 4-40 UNC threaded insert
- Quality class 3 (also available in quality class 1)
- Shell: Steel tin plated (brass tin plated or stainless steel available on request)

PLUG CONNECTOR

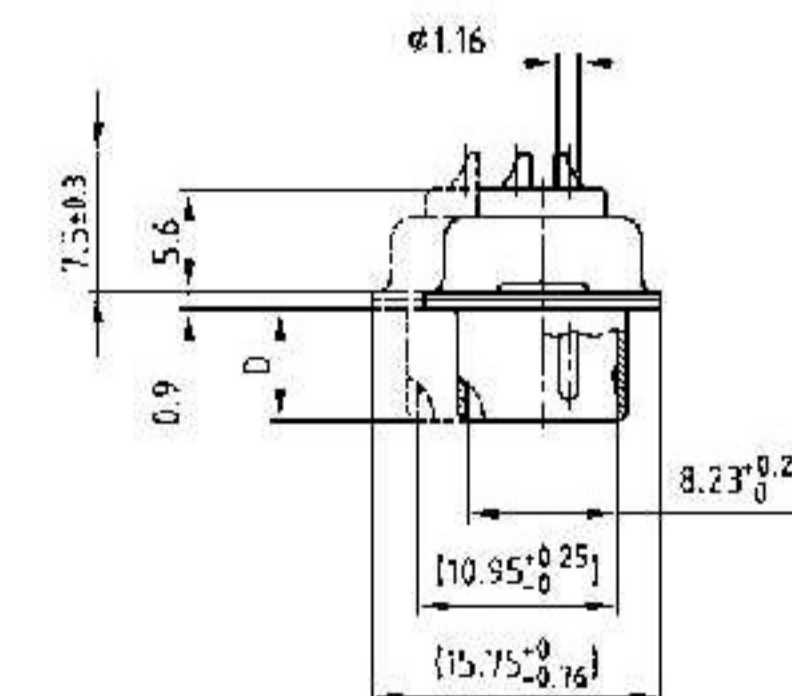
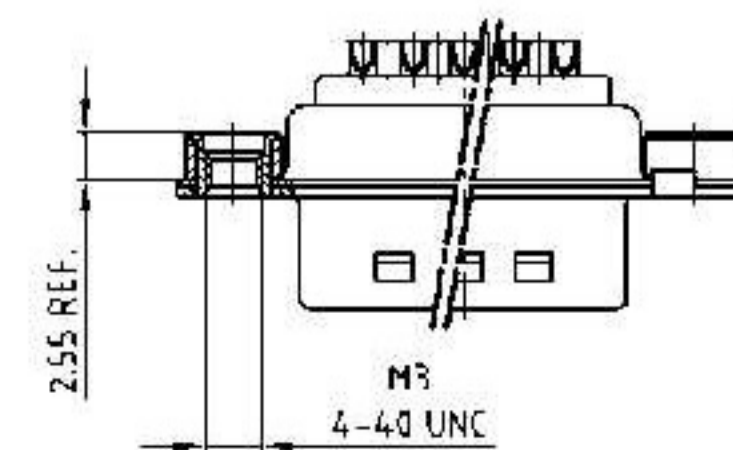


Mounting style: Through-hole

No. of pos.	A -0.76	B +0.25	C	D -0.3
09	31.19	16.79	25.00 +0.12	6.12
15	39.52	25.12	33.30 ^{+0.15} / _{0.10}	6.12
25	53.42	38.84	47.04 +0.13	5.99
37	69.70	55.30	63.50 +0.13	5.99
50	67.31	52.68	61.10 ^{+0.14} / _{0.11}	5.99



Mounting style: Threaded insert



50 pos. = Dim. in (—)