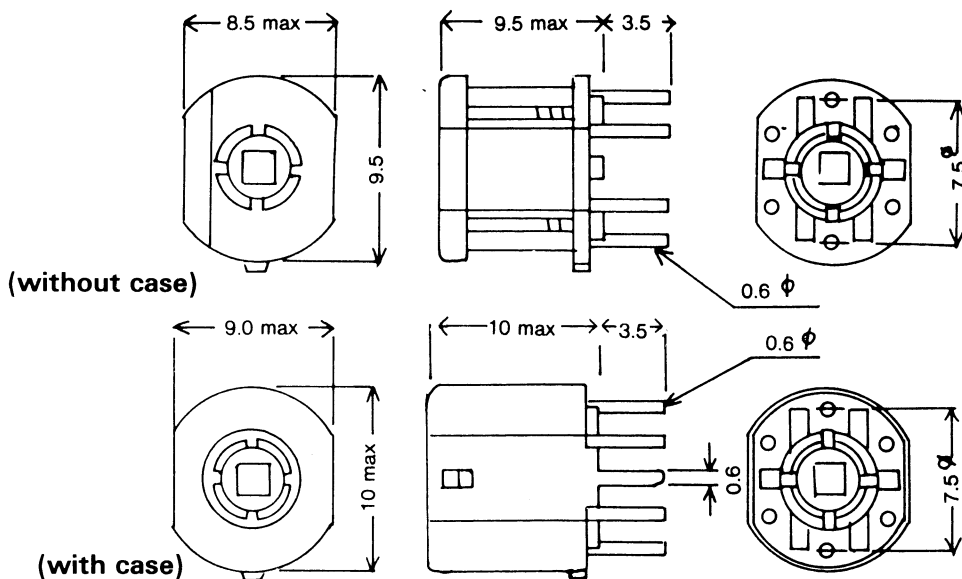


Features:

- 2 taps available
- 3 windings available
- Inductance adjustable from top and bottom
- High environmental stability
- Shield case available

Dimensions



Electrical Data:

Frequency	60 - 150Mhz
Inductance	0.03 - 0.35uH
Qu (ref. only)	110

STANDARD MC-133 COIL TYPES (With Case)

TOKO Sample No.	Winding	Frequency	Turning Range	Unloaded Q	Inductance
E539HNA-100006	1.5t	100 MHz	79.0pf±3%	85 min	0.03 uH
100007	2.5t	100 MHz	48.0pf±5%	90 min	0.05 uH
100001	3.5t	100 MHz	35.0pf±6%	80 min	0.07 uH
100004	4.5t	100 MHz	25.0pf±5%	100 min	0.10 uH

CONNECTION DIAGRAM

(Bottom View)

