

# D-Sub Connectors High Density, PCB Mounting, angled

Male Connectors with Threaded Bolt  
UNC 4/40



### SPECIFICATION:

Operating Current (Nom.): 3 A  
 Operating Temperature: -55°C to 105°C  
 Insulation Resistance (Min.): 1000 MΩ  
 Contact Resistance (Max.): 13 mΩ  
 Dielectric Strength: 500 Vac



### MATERIAL:

Material (Terminal): copper alloy, tin plated  
 Material (Housing): steel, nickel plated  
 Flammability Class: UL 94 V-0  
 Material (Insulation): PBT  
 Material (Contact Area): copper alloy, gold plated

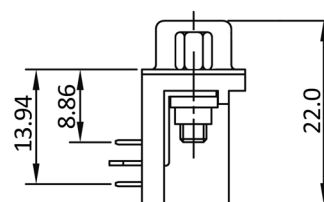
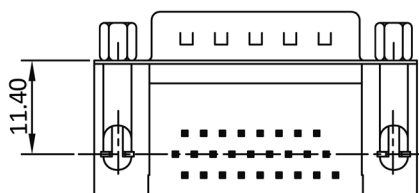
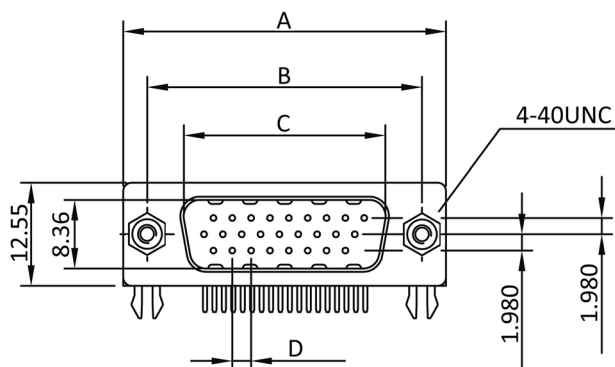


### HANDLING:

Processing: wave soldering  
 Packaging: tray

### TOLERANCE:

.X: ± 0.25  
 .XX: ± 0.20



### Dimensions

Number of Contacts:	A:	B:	C:	D:
15	30.81	24.99	16.92	2.29
26	39.14	33.32	25.25	2.29
44	53.04	47.04	38.96	2.29

### Order Information

Identifier:	No. of Contacts:	Version:
ST	#	HDW
D-Sub High Density Male with solder pins	15: 15 poles 26: 26 poles 44: 44 poles	High Density angled