

General purpose modules

A comprehensive range of chassis mount IEC 60320 inlet power entry modules housed in a compact and lightweight enclosure.

Offers a low cost form of protection from mains borne interference in applications such as business, consumer, medical equipment, VDU's, computers, vending machines and many other general purpose applications.

- Current ratings from 1A to 10A
- Component value combinations to suit requirements
- Low cost design
- Medical versions available

Mechanical Specifications

Manufacture: metal case with built-in power line connector according to IEC 60320 & EN 60320.

Connections: IEC 60320 - Standard plug (INPUT); faston 2x2.8 x 0.8mm or 6.3 x 0.8mm (OUTPUT); ground terminal connected to case.



Electrical Specifications

Rated voltage (V_R): max 250V, 50/60Hz

Rated current (I_R): referred to room temperature = 40°C

Leakage current (I_L): at 220V, 50Hz, max value

Voltage test (2 s.): line to ground 3000Vdc or 1800Vac
line to line 1700Vdc

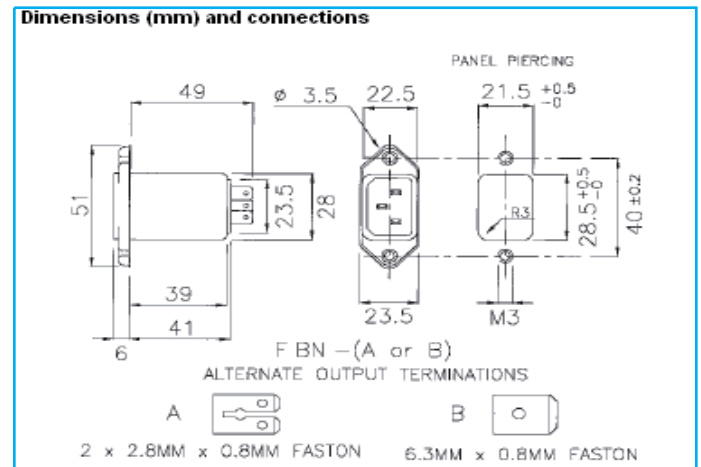
Climatic category: HMF (25/085/21);

Temperature range: -25°C to +85°C

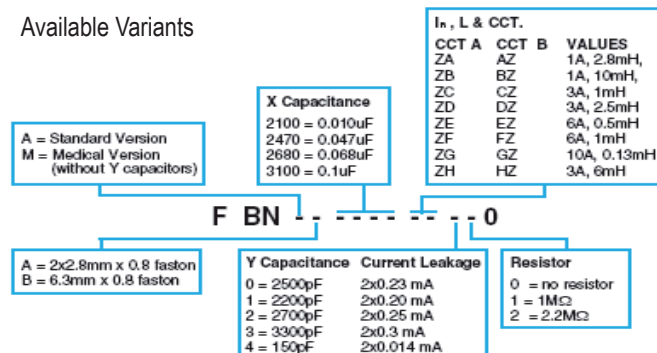
Filter Range

Code	I_R (A)	L (mH)	Cx (μ F)	Cy (pF)	I_L (mA)	Circ Diag
FBNAB2100ZE200	6	2x0.5	0.01	2x2700	2x0.25	A
FBNAB2470ZA100	1	2x2.8	0.047	2x2200	2x0.2	A
FBNAB2470ZB000	1	2x10	0.047	2x2500	2x0.23	A
FBNAB2470ZD000	3	2x2.5	0.047	2x2500	2x0.23	A
FBNAB2470ZF000	6	2x1	0.047	2x2500	2x0.23	A
FBNAB2470ZG110	10	2x0.13	0.047	2x2200	2x0.2	A
FBNAB2680CZ300	3	2x1	0.068	2x3300	2x0.3	B
FBNAB2680ZB000	1	2x10	0.068	2x2500	2x0.23	A
FBNAB2680ZD000	3	2x2.5	0.068	2x2500	2x0.23	A
FBNAB2680ZF000	6	2x1	0.068	2x2500	2x0.23	A
FBNAB3100BZ000	1	2x10	0.01	2x2500	2x0.23	B
FBNAB3100DZ000	3	2x2.5	0.01	2x2500	2x0.23	B
FBNAB3100FZ000	6	2x1	0.01	2x2500	2x0.23	B
FBNAB3100HZ420	3	2x6	0.01	2x150	2x0.014	B

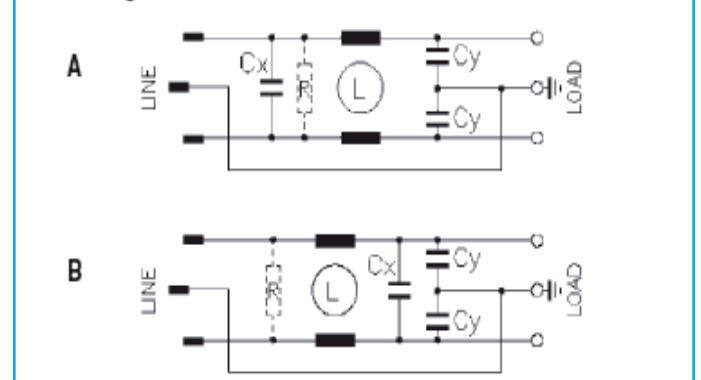
* other variants on request



Available Variants



Circuit diagram



Approvals



in progress

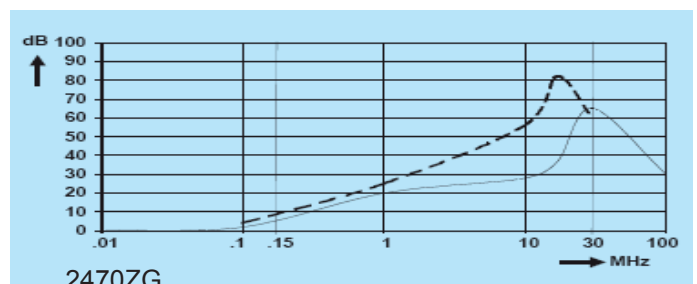
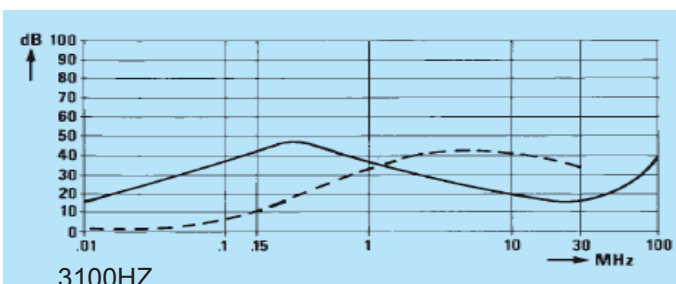
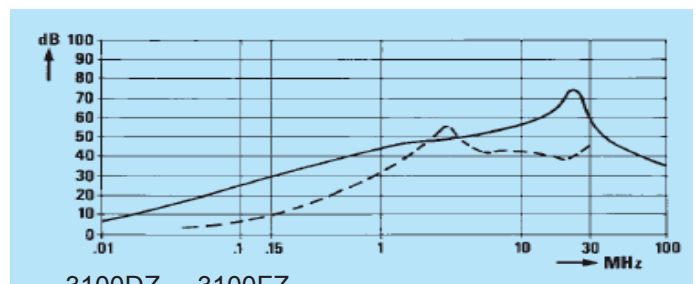
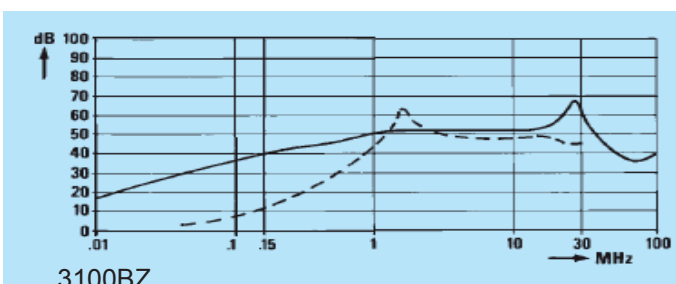
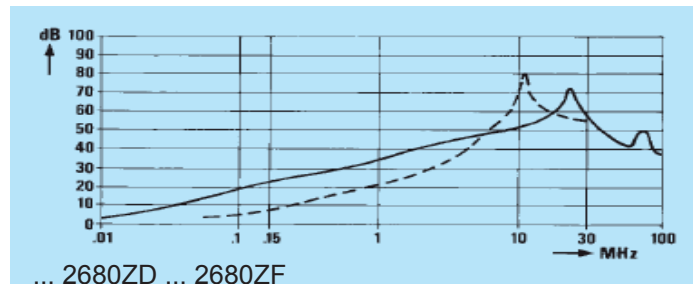
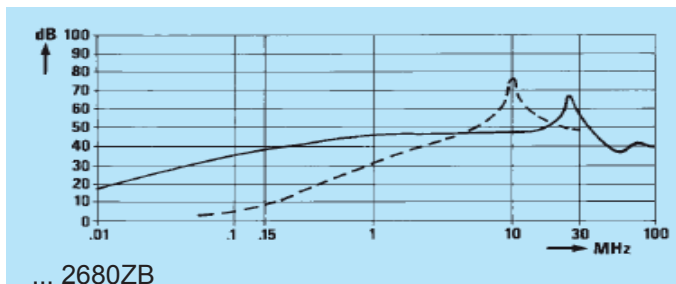
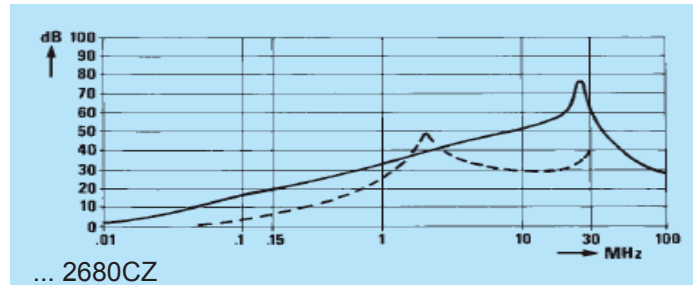
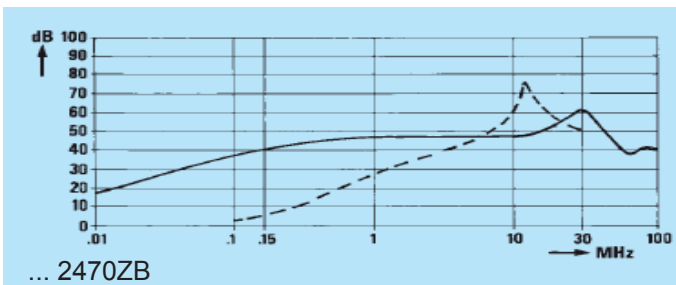
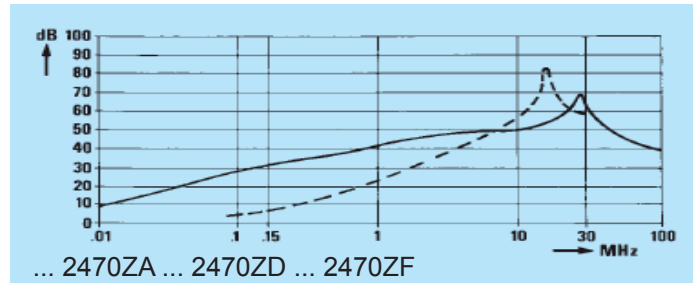
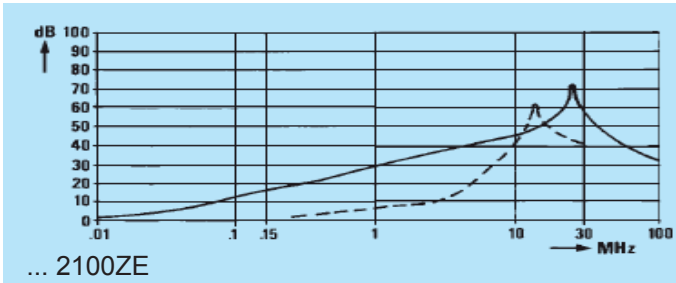
1283

22.2 N°8



Insertion loss (typical): — Asymmetrical (line to ground) - - - Symmetrical (line to line)

FBN



With fuse holders

A range of chassis mount IEC 60320 inlet power entry modules which combine single or twin fuse holders and a high level of suppression, within a compact and lightweight enclosure.

Cost effective solution for business, consumer, medical equipment, VDUs, computers, vending machines and many other general purpose applications.

- Snap-in or screw fit
- Current ratings from 1A to 10A
- Integral single or twin fuse holder
- Compact, lightweight design
- Medical versions available

Mechanical Specifications

Manufacture: metal case with built-in power line connector according to IEC 60320 & EN 60320 and fuse holder for 1 (FP) or 2 (FQ) fuses 5 x 20mm (IEC).

Connections: IEC 60320 - Standard plug (INPUT); faston 2x2.8 x 0.5mm or 6.3 x 0.8mm (OUTPUT); ground terminal connected to case.

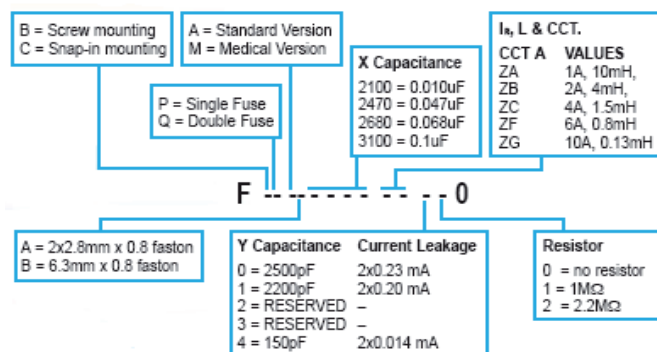
Mounting: FB- screw mounting; FC- Snap-in mounting.

Filter Range

Code	I _R (A)	L (mH)	C _{X1} (μF)	C _Y (pF)	I _L (mA)
F -- AB2680ZA100	1	2x10	0.068	2x2200	2x0.2
F -- AB2680ZB100	2	2x4	0.068	2x2200	2x0.2
F -- AB2680ZC100	4	2x1.5	0.068	2x2200	2x0.2
F -- AB2680ZF100	6	2x0.8	0.068	2x2200	2x0.2
F -- AB2680ZG100	10	2x0.13	0.068	2x2200	2x0.2

* other variants on request

Available Variants



Electrical Specifications

Rated voltage (V_R): max 250V, 50/60Hz

Rated current (I_R): referred to room temperature = 40°C

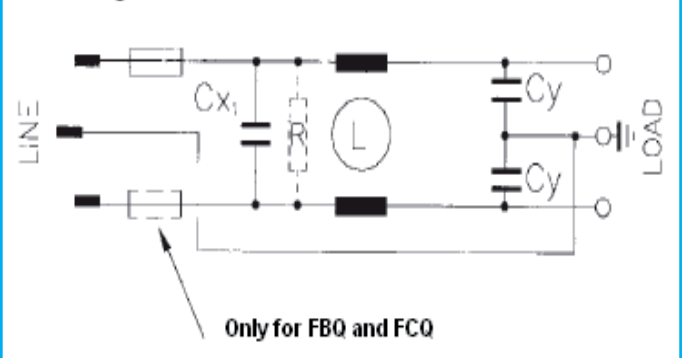
Leakage current (I_L): at 220V, 50Hz, max value

Voltage test (2 s.): line to ground 3000Vdc or 1800Vac
line to line 1700Vdc

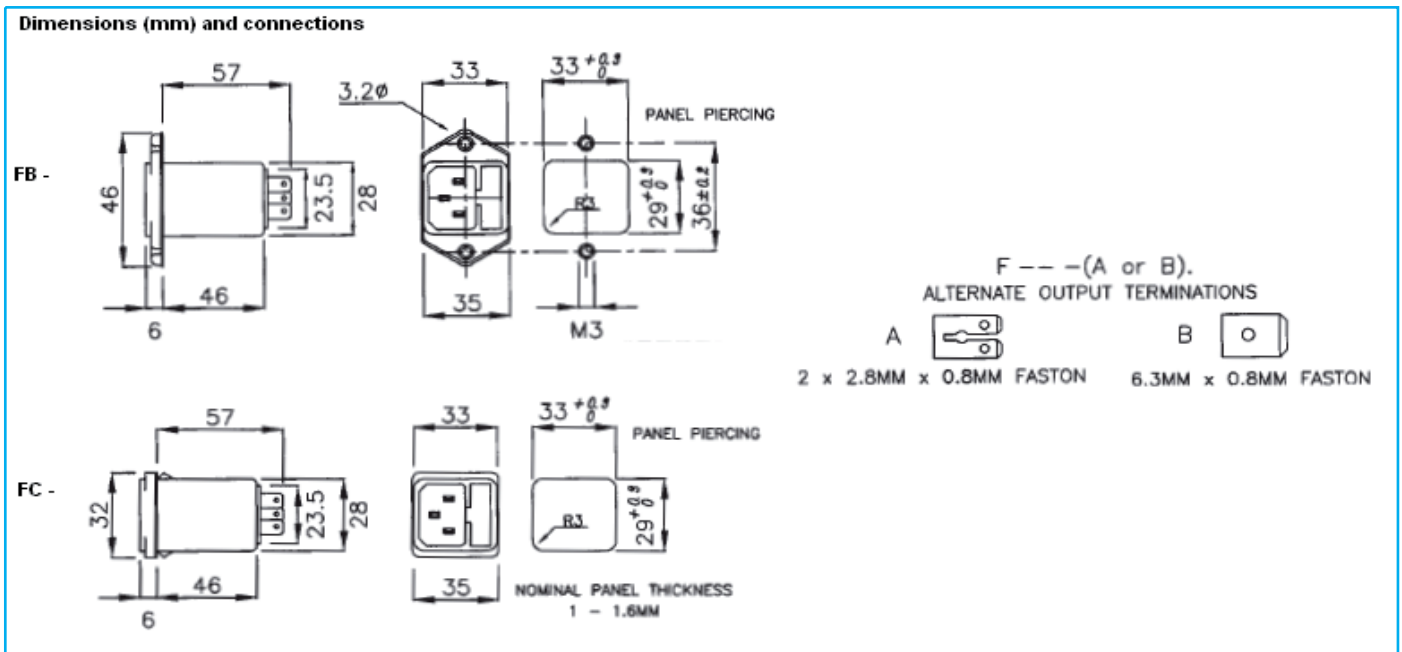
Climatic category: HMF (25/085/21);

Temperature range: -25°C to +85°C

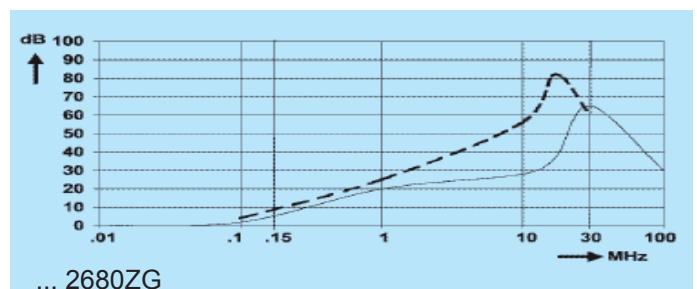
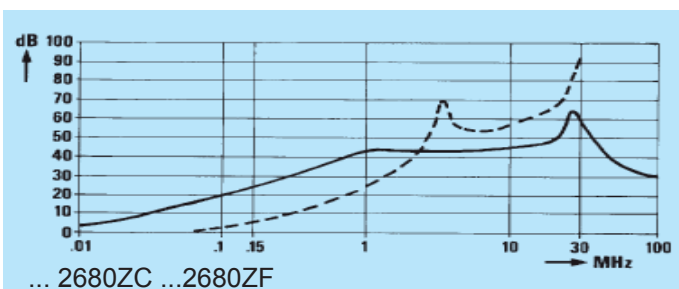
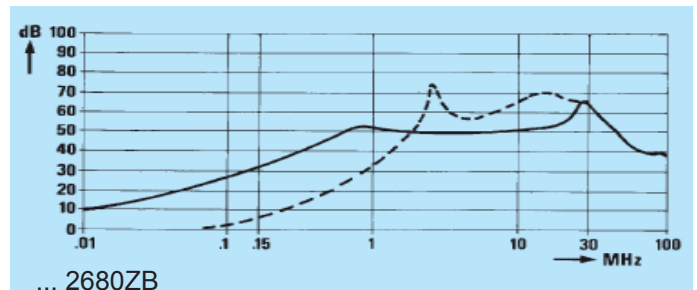
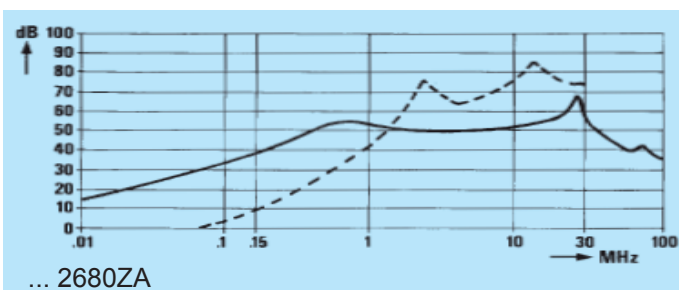
Circuit diagram



FBP - FBQ - FCP - FCQ



Insertion loss (typical): — Asymmetrical (line to ground) - - - Symmetrical (line to line)



High current modules

Compact, high current chassis mount IEC 60320 inlet power entry module, available in standard of medical design formats.

The unit provides excellent performance to size characteristics for use in a variety of higher power applications, from industrial equipment and telecoms base stations to test instrumentation and vending machines.

- High current rating - 16A
- High performance to size ratio
- Compact and lightweight
- Medical versions available
- IEC 950 compliant

Mechanical Specifications

Manufacture: metal case with built-in power line connector according to IEC 60320 & EN 60320.

Connections: IEC 60320 - 16A plug (INPUT);
6.3 x 0.8mm (OUTPUT);
ground terminal connected to case.



Electrical Specifications

Rated voltage (V_R): max 250V, 50/60Hz

Rated current (I_R): referred to room temperature = 40°C

Leakage current (I_L): at 250V, 50Hz, max value

Voltage test (2 s.): line to ground 3000Vdc or 1800Vac
line to line 1700Vdc

Climatic category: HMF (25/085/21);

Temperature range: -25°C to +85°C

Filter Range

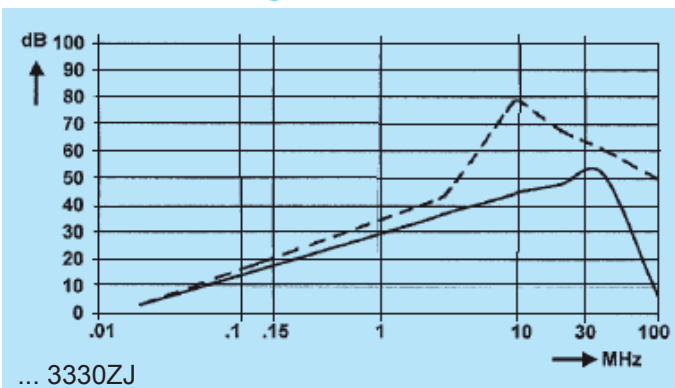
Code	I_R (A)	L (mH)	C_{X1} (μ F)	C_Y (pF)	I_L (mA)
FBNAB3330ZJ110	16	2x0.5	0.33	2x2200	2x0.2
FBNMB3330ZJ110	16	2x0.5	0.33	-	-

A = Standard version
M = Medical version

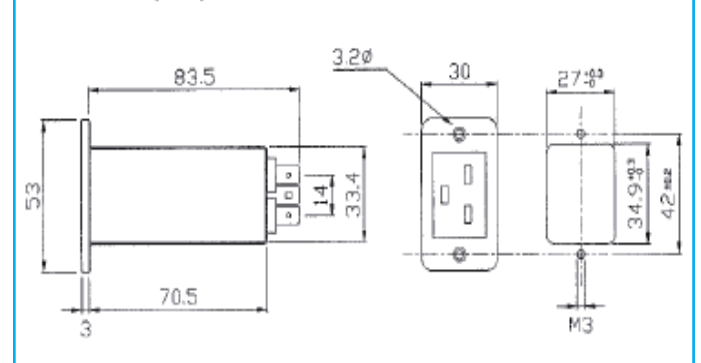
* other variants on request

Insertion loss (typical): — Asymmetrical (line to ground)
- - - Symmetrical (line to line)

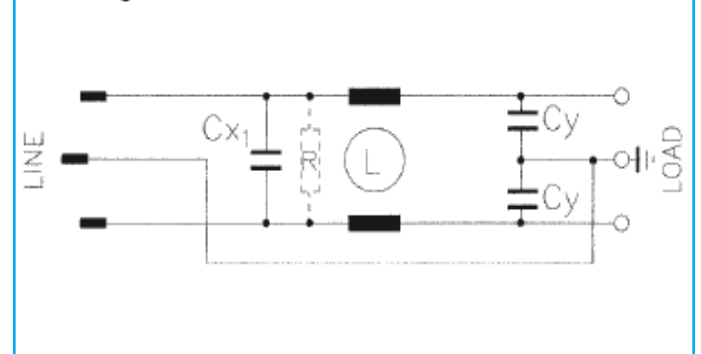
FBN 16A type



Dimensions (mm) and connections



Circuit diagram



Approvals

Made in accordance to VDE, UL and CSA requirements