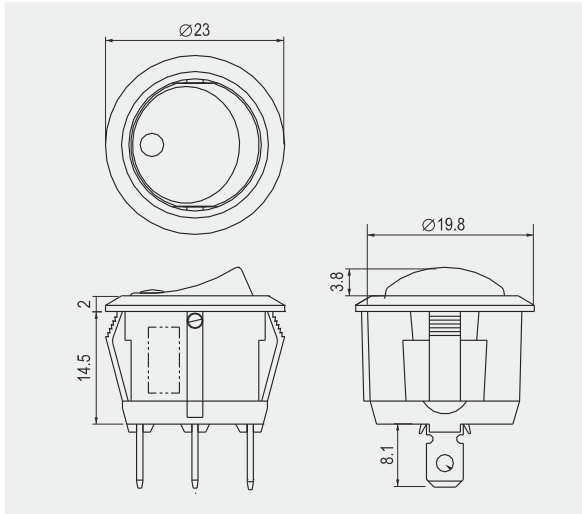
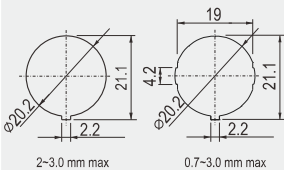


R13-112

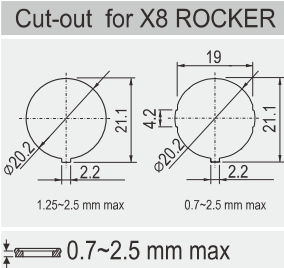


Rating
16A 125V AC 10A 250V AC
Contact resistance
50mΩ Max
Insulation resistance
DC 500V 100MΩ Min
Dielectric strength
AC 1500V 1 minute
Cut-out



FEATURES

- * MATERIAL: Frame is nylon (UL flame: 94V-2). Terminals are silver plated brass.
- * Illuminated actuators are molded in PC, available with red, amber, green, blue and white colors.
- * Snap-in mounting, easy to install switch into panel.
- * Except lever type actuator (AP, BP, CP, DP, LP), watertight cover is optional.
- * Standard dimension of housing height is 14.5mm, if look for shorter height, please refer to page 1-57, item R13-208 with housing height 12.0mm.
- * R13-112B9 & R13-112B9F: The LED is built with PCB for shifting to AC rating application.
- * Watertight cover is optional.



ROCKER

A,B,BF C,D,E, F,G,H, I	A5
A2 E2 F2	LP
A2B	A8,B8 B8F C8,D8 F8,E8
B2 B2F	B9 B9F
L	AP BP CP DP



Ordering number instruction

R13-112 -

FUNCTION					TERMINAL
Different button (按鈕不同)					0 2 SQ
A	A 2	A 5	A P	A 2 B	0 9 PC A/C/D/E/F/G/H/I
					1 2 SO A/C/D/E/F/G/H/I/L
Illuminated / Different button (帶燈/按鈕不同)					
B	B 2	B 9	B 1 0	B P	
Momentary / Illuminated / Different button (彈回/帶燈/按鈕不同)					
B F	B 2 F	B 9 F			
Different position / Different button (動作特性不同/按鈕不同)					
C	C P	D	D P		
Momentary (彈回)					
E	F	G	H	I	
Independent circuit / Different button (獨立迴路/按鈕不同)					
L	L P	L F			
Watertight (防水)					
A 8	B 8	B 8 F	C 8	D 8	F 8
E 8					