

OL-5016SUYD1C- B

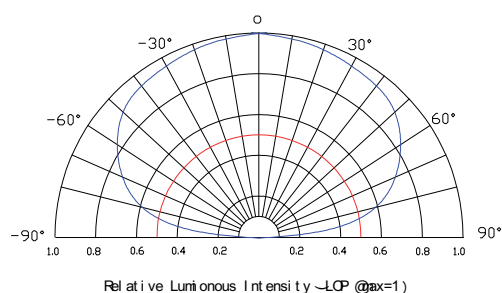
Features:

- General purpose leads
- RoHs compliant.

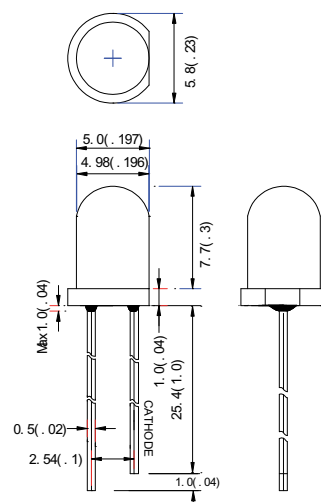
Descriptions:

- Dice material: AlGaInP.
- Emitting Color: Yellow.
- Device Outline: $\Phi 5\text{mm}$ Round Type.
- Lens Type: Yellow diffused.

Radiation pattern.



Package configuration



- ◆ All dimensions are millimeters (inches)
- ◆ Tolerance is $\pm 0.25\text{mm}$ (.010") unless otherwise noted.

Absolute maximum ratings($T_a=25^\circ\text{C}$)

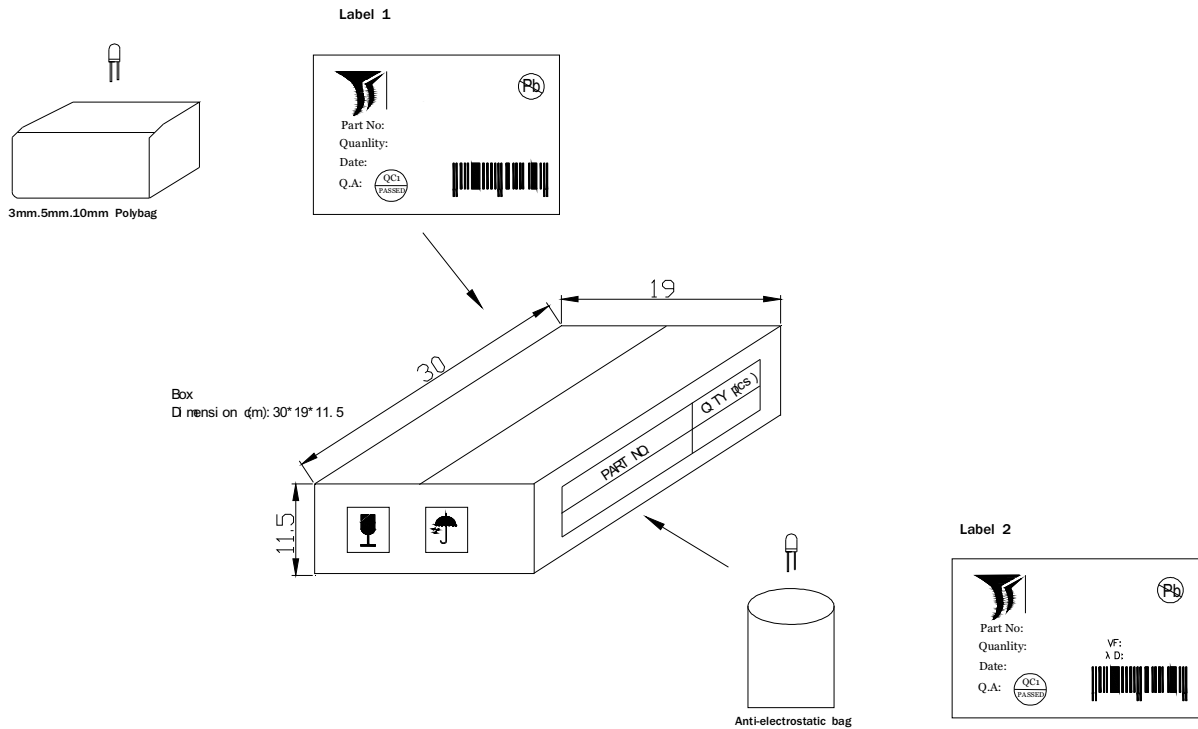
Parameter	MAX.	Unit
Power Dissipation	150	mW
Peak Forward Current (1/10 Duty Cycle, 0.1ms Pulse Width)	160	mA
Continuous Forward Current	25	mA
Derating Linear From 50 \square	0.4	mA / \square
Reverse Voltage	5	V
Operating Temperature Range	-30 $^\circ$ to +80 $^\circ$	
Storage Temperature Range	-40 $^\circ$ to +100 $^\circ$	
Lead Soldering Temperature[4mm(.157") From Body]	260 $^\circ$ for 5 Seconds	

Electrical and optical characteristics($T_a=25^\circ\text{C}$)

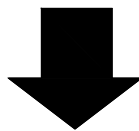
Parameter	Symbol	Min.	Typ.	Max.	Unit	Test Condition
Viewing Angle	$2\theta_{1/2}$	150	160	170	Deg	IF=20mA
Luminous Intensity	Iv	-	200	-	mcd	
Peak Emission	λ_p	586	591	596	nm	
Dominant Wavelength	λ_d	585	590	595	nm	
Spectral Line Half-Width	λ	15	20	25	nm	
Blinking Frequency		2	2.4	2.8	HZ	
Forward Voltage	V _F		7		V	

Output Source Current		-	25	-	mA	Vdd=5V
Output Sink Current			45		mA	

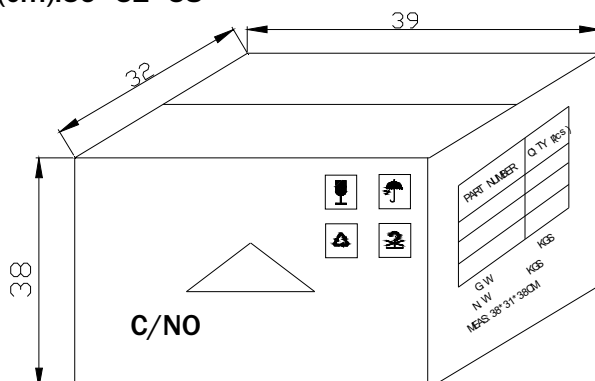
LAMP PACKING.



DEVICE	QTY/polybag(pcs)	Polybag/box A	Fig
5mm(T-1 3/4)	1000	8 bags	Label 1
3mm(T-1)	1000	10 bags	Label 1
10mm(T-1)	250	8 bags	Label 1
Blue/Green/White	500	8 bags	Label 2



CARTON
Dimension(cm):39*32*38



6 Boxes/Carton
 5mm:48,000pcs
 3mm:60,000pcs
 10mm:12,000pcs
 Blue/Pure Green/bluish Green
 /White:24,000pcs